



**FL-1064-PS/1~2000mW**

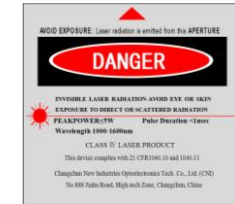
**SPECIFICATIONS**

**PICOSECOND ALL FIBER PULSED LASER**

Picosecond all fiber pulsed laser at 1064nm with SESAM technique is made features of high output power stability, good beam profile, ultra compact, long lifetime, cost-effectiveness and easy operating, which is widely used in laser radar, precision marking, precision drilling, life science, precision etching, microelectronics, scientific research, etc.



Wavelength (nm)	1064±1				
Operating mode	Passive mode-locked				
Output power (mW)	1	20	100	1000	2000
Power stability (rms, over 4 hours)	<1%, <3%			<0.5%, <1%, <3%	
Pulse width (ps)	<2, <10				
M <sup>2</sup> factor	<1.2				<1.5
Repetition frequency (MHz)	One fixed value between (20-80) ±1 MHz				
Polarization ratio	Random / > 15dB				
Warm-up time (minutes)	<15				
Delivery cable length (m)	variable				
Operating temperature (°C)	15~35				
Power supply	5V DC				
Expected lifetime (hours)	10000				
Warranty	1 year				



FL-1064-PS (1mW)	FL-1064-PS (20~2000mW)
<p><b>122.2(L)×110(W) ×29.5(H) mm<sup>3</sup> 0.4kg</b></p>	<p><b>303(L)×212(W) ×95(H) mm<sup>3</sup> 2.5kg</b></p>



**FL-1064-Pico/10~5000mW**

**PICOSECOND ALL FIBER PULSED LASER**

Picosecond all fiber pulsed laser at 1064nm is made features of high output power stability, good beam profile, ultra compact, long lifetime, cost-effectiveness and easy operating, which is widely used in laser radar, precision marking, precision drilling, life science, precision etching, microelectronics, scientific research, etc.

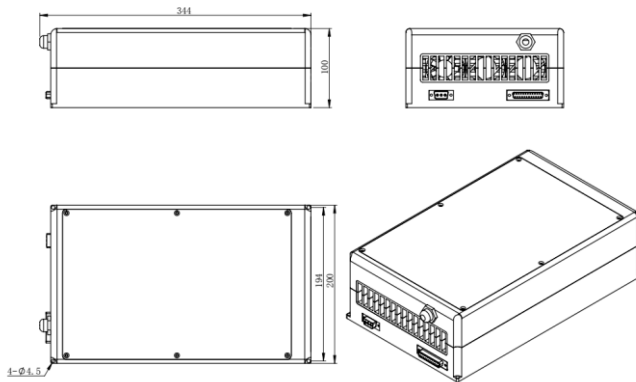


**SPECIFICATIONS**

Wavelength (nm)	1064±1		
Operating mode	Pulsed		
Output power (mW)	10~100	100~2000	2000~5000
Power stability (rms, over 4 hours)	<2%, <3%		
Pulse width (ps) <sup>(1)</sup>	One fixed value between 100~900ps		
M <sup>2</sup> factor	<1.2	<1.8	
Repetition frequency (MHz) <sup>(2)</sup>	One fixed value between 0.1-20MHz		
Polarization ratio	Random / > 15dB		
Warm-up time (minutes)	<15		
Delivery cable length (m)	variable		
Operating temperature (°C)	15~35		
Power supply	24V DC		
Expected lifetime (hours)	10000		
Warranty	1 year		
Options	(1) Pulse width 100~900ps variable (2) Repetition rate 0.1-20MHz variable RS 232 interface Higher output power can be customized		



**FL-1064-Pico**



344(L)×200(W) ×100(H) mm<sup>3</sup> 6.5kg





**FL-1064-S/1uW~500mW**

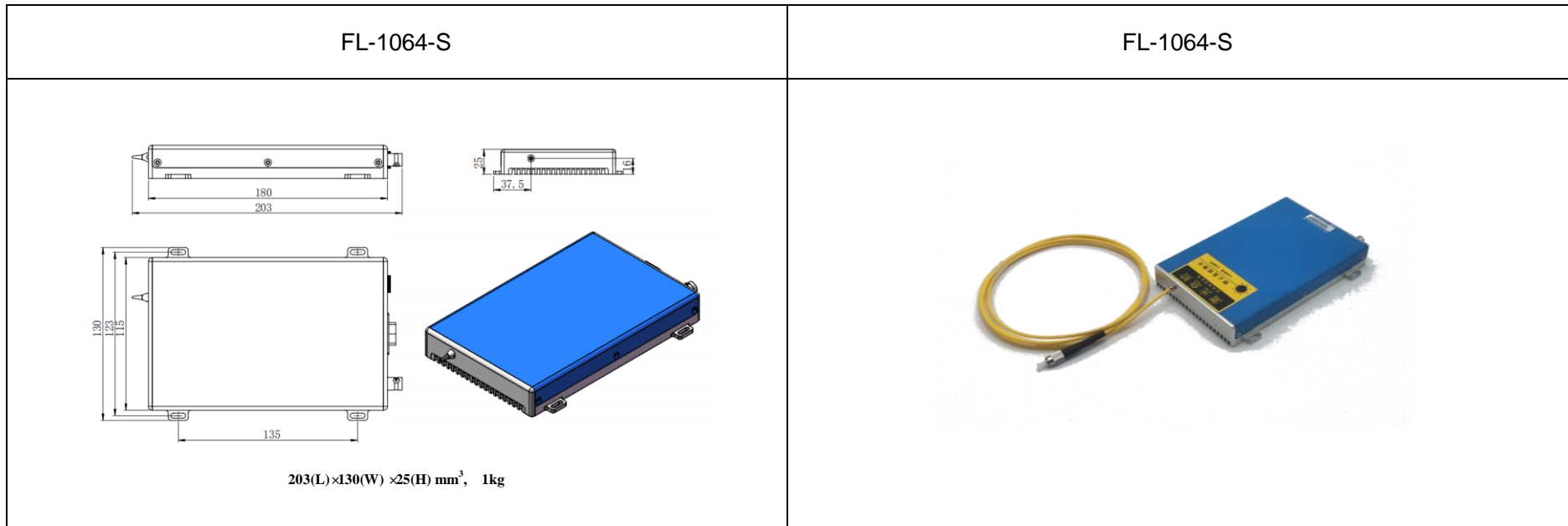
**SPECIFICATIONS**

**ALL FIBER PULSED LASER**

High frequency all fiber pulsed laser at 1064nm is made features of high peak power stability, good beam profile, ultra compact, long lifetime, low cost and easy operating, which is widely used in laser radar, life science, microelectronics, gas detection, scientific research, optical simulation, etc.



Wavelength (nm)	1064 ±1	
Operating mode	Pulsed	
Peak power (mW)	1uW~1mW (fixed)	1mW~500mW (fixed)
Power stability (rms, over 4 hours)	<1% , <3%	
Pulse width(ns)	5ns-100ns (adjustable)	
M <sup>2</sup> factor	<1.2	
Repetition frequency(Hz)	1Hz-100KHz, 1Hz-10MHz(adjustable)	
Polarization ratio	Random/>15dB	
Warm-up time (minutes)	<1	
Delivery cable length(m)	variable	
Operating temperature (°C)	15~35	
Power supply	5V DC	
Expected lifetime (hours)	10000	
Warranty	1 year	





**FL-1064-Nano/0.5W~10W**

**HIGH FREQUENCY ALL FIBER  
PULSED LASER**

High frequency all fiber pulsed laser at 1064nm is made features of high output power stability, good beam profile, ultra compact, long lifetime, low cost and easy operating, which is widely used in laser radar, life science, material processing, microelectronics, scientific research, etc.



**SPECIFICATIONS**

Wavelength (nm)	1064±1	
Operating mode	Pulsed	
Output power (W)	0.5-10(variable, but not suitable for OEM type)	
Power stability (rms, over 4 hours)	<2%, <3%	
Pulse width(ns)	0.5-5(variable, but not suitable for OEM type)	5-250(variable, but not suitable for OEM type)
M <sup>2</sup> factor	<1.8	
Repetition frequency(KHz)	100-1000(variable, but not suitable for OEM type)	
Polarization ratio	Random / > 15dB	
Warm-up time (minutes)	<15	
Delivery cable length(m)	variable	
Operating temperature (°C)	15~35	
Power supply	220V AC / 12V DC	
Expected lifetime (hours)	10000	
Warranty	1 year	



FL-1064-Nano-LAB(220V AC)	FL-1064-Nano-IND(220V AC)	FL-1064-Nano-OEM(12V DC)
<p style="text-align: center;">281(L)×309(W)×152.5(H) mm<sup>3</sup>, 5.5kg</p>	<p style="text-align: center;">220(L)×150(W)×75(H) mm<sup>3</sup>, 7.0kg</p>	<p style="text-align: center;">220(L)×150(W)×75(H) mm<sup>3</sup>, 2.5kg</p>



**FL-1064-AO/1~20uJ**

**ALL FIBER PULSED LASER**

All fiber pulsed laser at 1064nm is made features of high output power stability, good beam profile, ultra compact, long lifetime, low cost and easy operating, which is widely used in laser radar, life science, material processing, microelectronics, scientific research, etc.



**SPECIFICATIONS**

Wavelength (nm)	1064±1	
Operating mode	Pulsed	
Single pulse energy(uJ)	>2	>20
Energy stability (rms, over 4 hours)	<2%, <3%	
Pulse width (ns)	0.5~5	5-50
Repetition frequency (Hz)	1-1000	
Transverse mode	TEM <sub>00</sub>	
M <sup>2</sup> factor	<1.1	
Polarization state	Random / >15dB	
Warm-up time (minutes)	<15	
Operating temperature (°C)	15~35	
Power supply (220V AC)	PSU-FL-P-AO	
Expected lifetime (hours)	10000	
Warranty	1 year	



FL-1064-AO(220V AC)	PSU-FL-AO(220V AC)
<p><b>260(L)×180(W) ×75(H) mm<sup>3</sup>, 3kg</b></p>	<p><b>290(L)×220(W) ×85(H) mm<sup>3</sup>, 3kg</b></p>





FL-1064/1080-CW/1~20W

HIGH POWER ALL FIBER CW LASER

High Power all fiber CW laser at 1064nm is made features of ultra compact, long lifetime, low cost and easy operating, which is widely used in laser radar, life science, material processing, microelectronics, scientific research, etc.

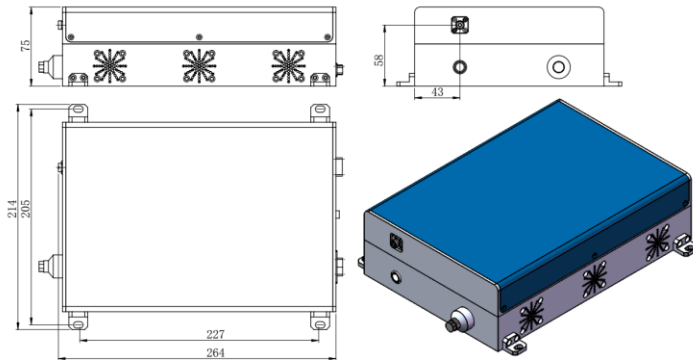


SPECIFICATIONS

Wavelength (nm)	1064±2	1080±2
Operating mode	CW or Modulated(≤50KHz)	
Output power (W)	1-20	
Power stability (rms, over 4 hours)	<1%, <3%	
Delivery Fiber Length (m)	2-5	
Output Fiber termination	Collimator	
Beam Diameter (mm)	4±1	
M <sup>2</sup> factor	<1.5	
Polarization state	Random or >15dB	
Warm-up time (minutes)	<15	
Operating temperature (°C)	15~35	
Power supply	220V AC	
Expected lifetime (hours)	10000	
Warranty	1 year	



FL-1064/1080-CW



264(L)×214(W) ×75(H) mm<sup>3</sup>, 3 kg





**FL-1064-SF/1~500mW**

**SINGLE FREQUENCY MODE  
FIBER LASER AT 1064 nm**

All polarization fiber single frequency mode high power laser at 1064nm is consisting of the seed laser and an amplifier optimized for low noise operation and application demanding more optical power, which has been designed for operation in ranging, gravitational wave, scientific research, etc.



**SPECIFICATIONS**

Wavelength (nm)	1064±1		
Operating mode	CW		
Output power (mW)	10	100	500
Power stability (rms, over 4 hours)	<1%, <2%		
Transverse mode	TEM <sub>00</sub>		
Longitudinal mode	Single		
Spectral linewidth (KHz)	<100		
Frequency shift (MHz)	<10@1hour		
M <sup>2</sup> factor	<1.2		
Beam Delivery Optics	FC/APC		
Polarization ratio(dB)	>15		
Warm-up time (minutes)	<30		
Operating temperature (°C)	15~30		
Power supply (V DC)	12		
Expected lifetime (hours)	10000		
Warranty	1 year		
Options	RS 232 interface PZT tuning		

